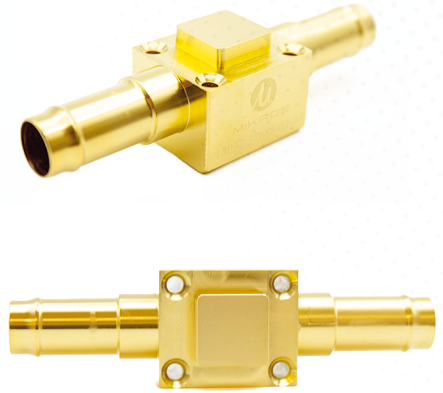


## High Performance Liquid Cooling:

The Mikros MX-10 is a highly-effective cold plate in Mikros' second-tier "Monadnock" Series. It is designed for more demanding thermal applications. It can cool 1000W/cm<sup>2</sup> with the cold plate surface less than 20°C above the coolant inlet temperature.\* Such high cooling capacity is best suited for applications where the heat source also has a high conductivity thermal interface to the cold plate, such as soldering or sintering. With a 10x10mm active cooling area, the MX-10 is often used in laser and power electronics applications and is adaptable to a wide variety of custom cooling needs. Gold plating gives this cold plate compatibility with Gold-Tin solder. The MX-10 is also available in all-copper versions.

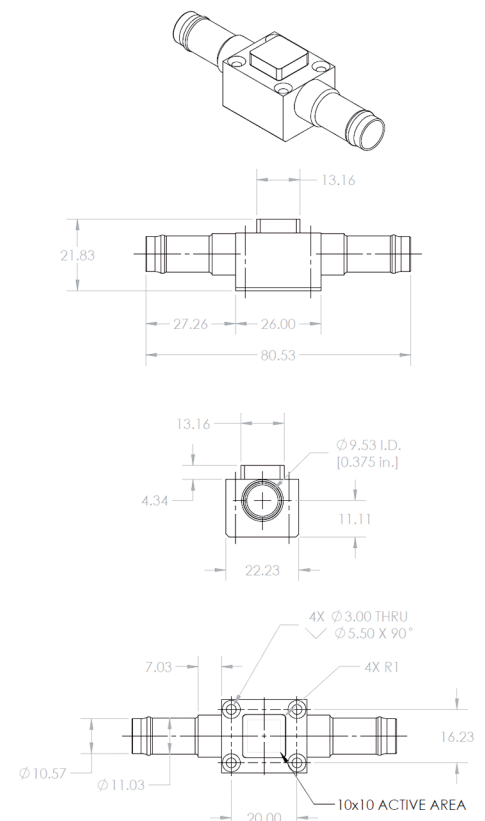
\*with water @ 3 LPM



## Monadnock Series Technology:

- **High Cooling Capacity** as high as 60 W/K at 4.5 LPM
- **Low Pressure Drop** near 34 kPa (5 psi) at 1.5 LPM
- **High Reliability** endurance tested for over 18 years
- **Integrated Mounting** for M3 screws
- **Custom Mounts** available upon request
- **To Order:** [info@mikros.net](mailto:info@mikros.net)

### Design Sketches





## MX-10 Performance Characteristics with Water

