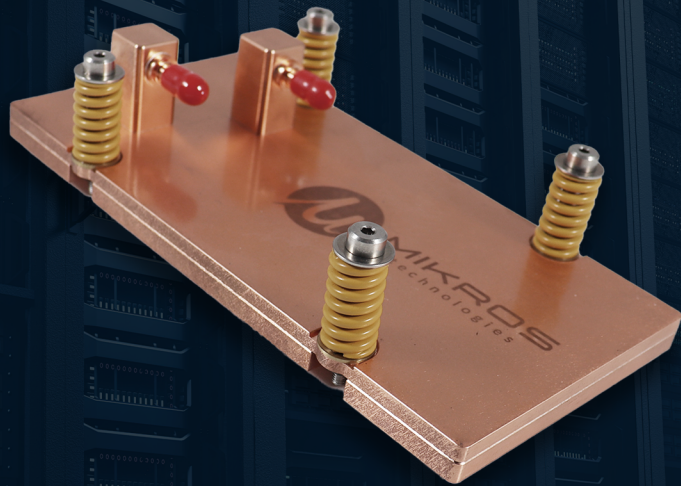




MIKROS
technologies
A JABIL COMPANY

AX-NV2

HIGH PERFORMANCE
COLD PLATE FOR AI



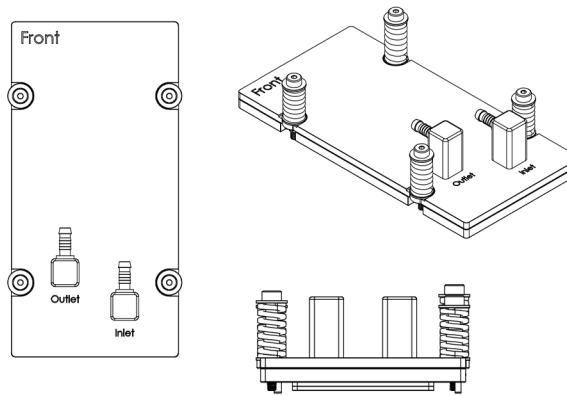
OPTIMIZED LIQUID COOLING
FOR NVIDIA BLACKWELL GPU

PERFORM | COOL | SCALE

ABOUT THE AX-NV2

Mikros Technologies' AX-NV2 is a high performance cold plate designed specifically for the Nvidia Blackwell series of GPU's. Utilizing our patented MikroMatrix cooling technology, the AX-NV2 combines high cooling capacity with low pressure drop for efficient thermal management of the Blackwell Core die as well as its peripheral components.

DESIGN SKETCHES



KEY FEATURES

- Normal flow matrices provide maximum cooling over core die, reduced flow over HBM die to maximize efficiency.
- High cooling efficiency & low pressure drop
- Helium leak and long-term endurance tested
- Custom mount design available



AX-NV2 Specifications

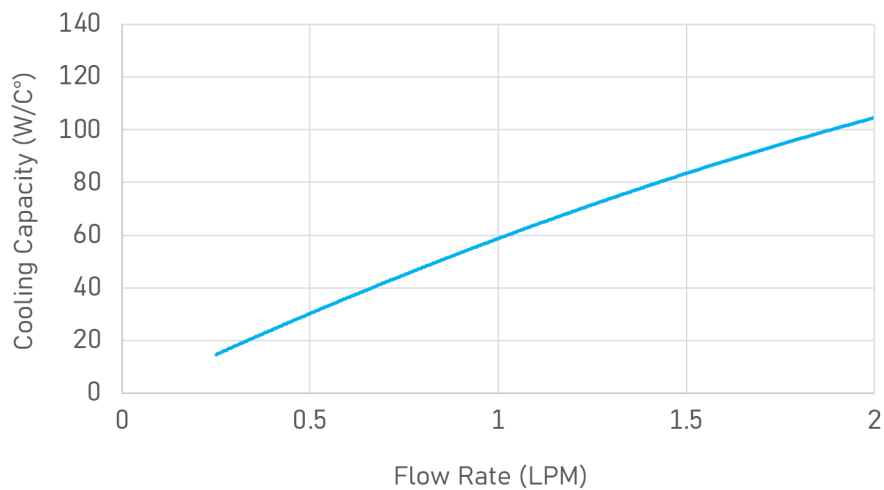
COOLING CAPACITY for cold plate	60 W/C° higher cooling capacities available at higher flow rates
FLOW RATE + COOLANT	flow rate: 1lpm coolant: 100% water@ 40C°
LOW PRESSURE DROP	near 9kPA (1.3 psi) at 1lpm

TAILORED COOLING	zoned cooling optimizes flow between Core and HBM die
SILICON AREA DIMENSIONS	53 mm x 58 mm
MOUNTING PRESSURE	optimized for proper contact with silicon and peripherals

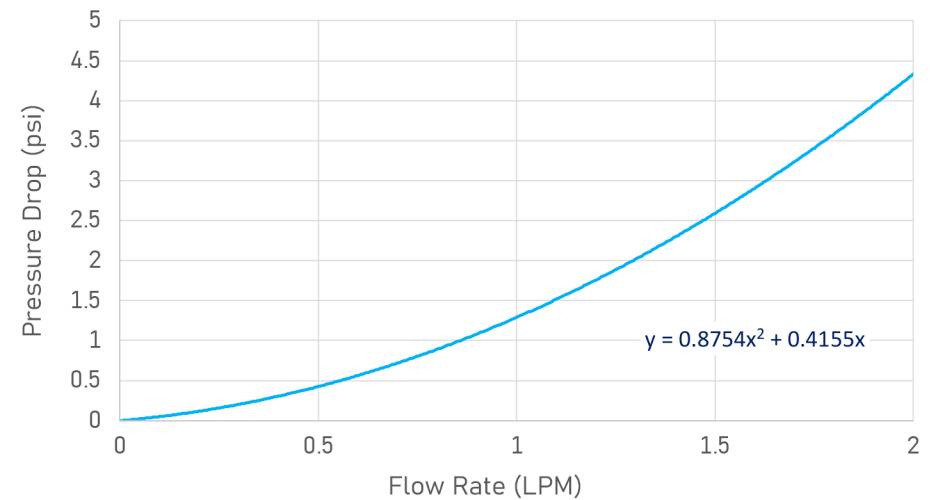


AX-NV2 Performance Characteristics with Water

Cooling Capacity v. Flow
(cold plate only)



Pressure Drop v. Flow
(cold plate only)



Would you like to learn more about the AX-NV2 cold plate?

Email us at info@mikros.net. You can also find more information on our website at mikrostechologies.com.